



SINKS

SERVING THE FOOD INDUSTRY SINCE 1951

WALL MOUNTED HAND SINK

Item: 43034



**FEATURES LOW LEAD GOOSENECK
FAUCET AND STAINLESS STEEL
BODY FOR BETTER PERFORMANCE
AND SAFER DRINKING WATER**



CSA Approved



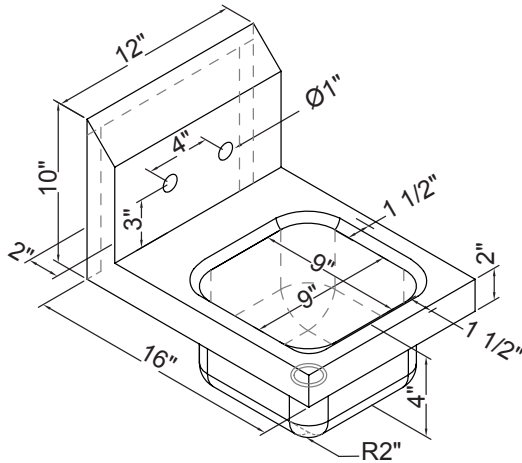
Authorized Dealer

SINKS

WALL MOUNTED HAND SINK



FEATURES & TECHNICAL SPECIFICATION

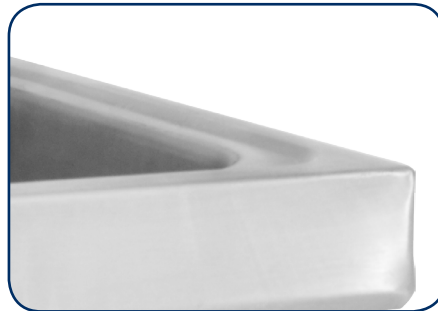


- 20-gauge Stainless steel construction
- 4" low lead gooseneck faucet and 1.5" drain basket included
- Comes with a wall mounted clip
- 9" x 9" x 5" bowl size

TECHNICAL SPECIFICATION

ITEM NUMBER	43034
DESCRIPTION	20-gauge 304 stainless steel space saver hand sink with 18-gauge stainless steel wall mounted clip. Comes with a 4" gooseneck faucet and 1.5" drain basket.
BOWL DIMENSIONS (DWH)	9" x 9" x 5" / 228.6 x 228.6 x 127 mm
OVERALL DIMENSIONS (DWH)	16" x 12" x 13" / 406.4 x 305 x 330 mm

DETAIL IMAGES



OMCAN INC.

Telephone: 1-800-465-0234

Fax: (905) 607-0234

Email: sales@omcan.com

Website: www.omcan.com



Follow us to keep up to date with the latest news and offers



2015.E.O.E